

How To Measure Steering Cables

“Measure Twice. Order Once.”

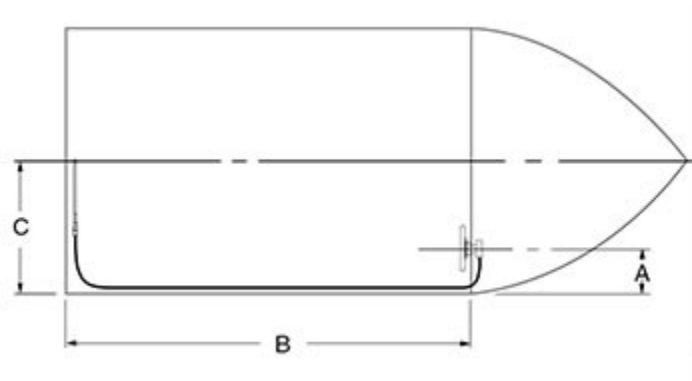
New Installation:

Measure cable routing path from wheel center line to engine connection, as follows:

A = Center line of wheel to gunwale (or deck, if routed downward),

B = Dash to transom,

C = Gunwale to centerline of cable connection at centered tiller.



A single-cable, starboard drive push-pull mechanical cable system is shown in this diagram.

Cable routings (such as those found on pontoon boats) may vary from this drawing. Confirm length by laying a garden hose or similar object) along cable path and measure run from wheel to engine connection point.

For Cable Installations through the Engine Tilt Tube: Add A, B & C + 6" (15.24 cm) **then round up to the next foot.** Order that length cable.

For Cables Mounted to Transom, Splashwell or Stringer: Add A, B & C, **then subtract 6" (15.24 cm)** and round up to the next foot. Order that length cable.

