




122R00_ PLANAR 44D_xx

1/11

CHAUFFAGE DE L'HABITACLE

REGLEMENT ECE 122R00

TYPE DE CHAUFFAGE : TEPLOSTAR PLANAR 44D_xx

	122R00_ PLANAR 44D_xx		2/11

SCHEMAS ET PHOTOS FOURNIS
DRAWINGS AND PHOTOGRAPHS SUPPLIED

Schéma ou photographie du système de chauffage à combustion : <i>Photograph or drawing of the combustion heater</i>	Page 5
Schéma ou photographie l'étiquette du constructeur : <i>Photograph or drawing of the manufacturer's label</i>	Page 5
Notice de montage du chauffage à combustion et de ses composants : <i>Mounting description of the combustion heater and all its components</i>	Pages 6-11

**1.****GENERALITES****GENERAL**

- 1.1.** Marque (raison sociale du constructeur) : TEPЛОСТАР
Make (trade name of manufacturer)
- 1.2.** Type : PLANAR 44D_xx
Type
- 1.2.1** Dénomination(s) commerciale(s) : TEPЛОСТАР PLANAR
Commercial name(s)
- 1.3.** Nom et adresse du constructeur : OOO Advers,
Name and address of manufacturer 443068, Samara,
Novo Sadovaja st. 106
RUSSIA
- 1.4** Dans le cas d'éléments constitutifs, emplacement et
méthode de fixation de la marque d'homologation ECE: Label on the top of the
In the case of components, location and method of affixing heater
of the ECE approval mark:
- 1.5** Adresse des ateliers de montage : OOO Advers,
Address(es) of assembly plant(s) 443068, Samara,
Novo Sadovaja st. 106
RUSSIA



2. CHAUFFAGE A COMBUSTION

COMBUSTION HEATER

- 2.1.** Marque (raison sociale du constructeur) : TEPLOSTAR
Make (trade name of manufacturer)
- 2.2.** Type : 44D-24
Type : 44D-12
- 2.2.1** Dénomination(s) commerciale(s) : Advers Planar
Commercial name(s)
- 2.3** Moyens d'identification du type, s'il est indiqué sur le : Label on the heater
système de chauffage :
Means of identification of type, if marked on the heating system
- 2.4** Emplacement de cette marque : On the top of the heater
Location of that marking
- 2.5** Nom et adresse du constructeur : OOO Advers,
Name and address of manufacturer 443068, Samara,
Novo Sadovaja st. 106
RUSSIA
- 2.6** Adresse des ateliers de montage : 443068, Samara,
Address(es) of assembly plant(s) Novo Sadovaja st. 106
RUSSIA
- 2.7** Pression d'épreuve : Not applicable
Test pressure
- 9.10.5.3** Description détaillée, plan de masse et notice de montage du : Pages 6 - 11
chauffage à combustion et de l'ensemble de ses éléments :
Detailed description, layout drawings and mounting description of the combustion heater and all its components
- Carburant : Diesel
Fuel
- Fluide caloporteur : Air
Transfer medium



122R00_ PLANAR 44D_xx

5/11

Drawing of the combustion heater



Manufacturer's label



MOUNTING DESCRIPTION

1.1 Heater Installation

Installed the heater indoors while bearing in mind the permissible operating positions shown in Figure 1.1. The figure 1 shows the two maximum assembly positions of the heater. Positioned the heater's inlet vent in such a way to prevent absorption of vehicle/heater exhaust gas in normal operating conditions. The gap between the walls/partitions and the edge of the inlet vent shall be at least 50 mm (see Figure 8.1). When assembling or operating the heater, ensure that no foreign objects enter the inlet/outlet vents. Prior to assembly, ensure availability of spare heating plug and bear in mind dismantlement requirements, as this will permit easier maintenance in future. See Figure 2 for how to position mounting holes to install the heater into the motor vehicle casing. Overall and mounting Dimensions are on the fig.3

ATTENTION !! To ensure reliable performance, follow the above recommendations carefully. Install the heater horizontally as shown in Figure 1.

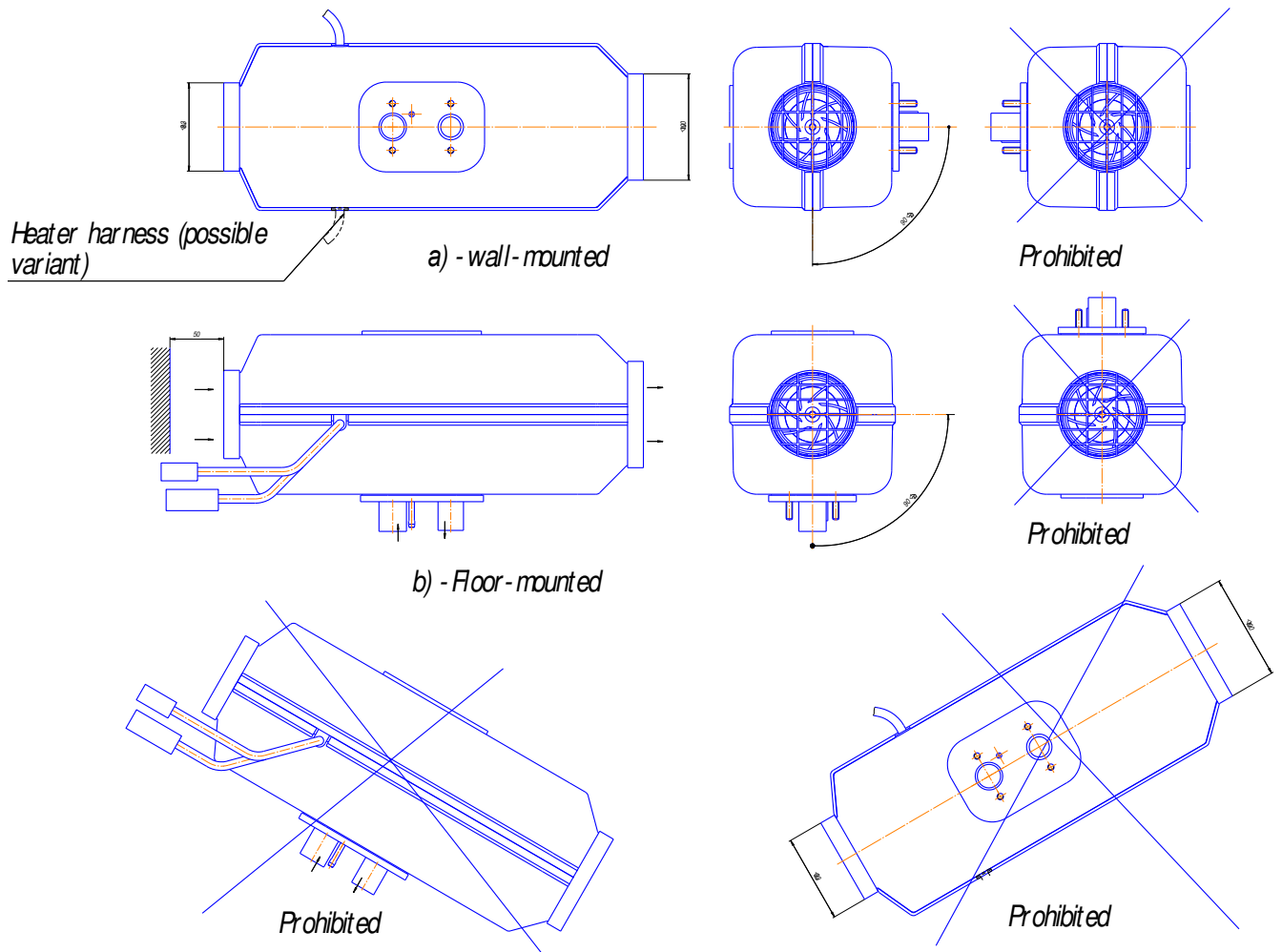


Figure 1 – Variants of installation of a heater.

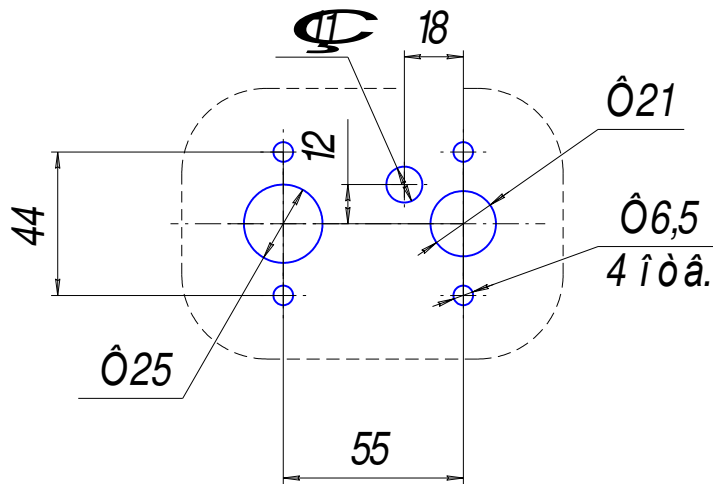


Figure 2– Mounting Holes Used for Heater Installation

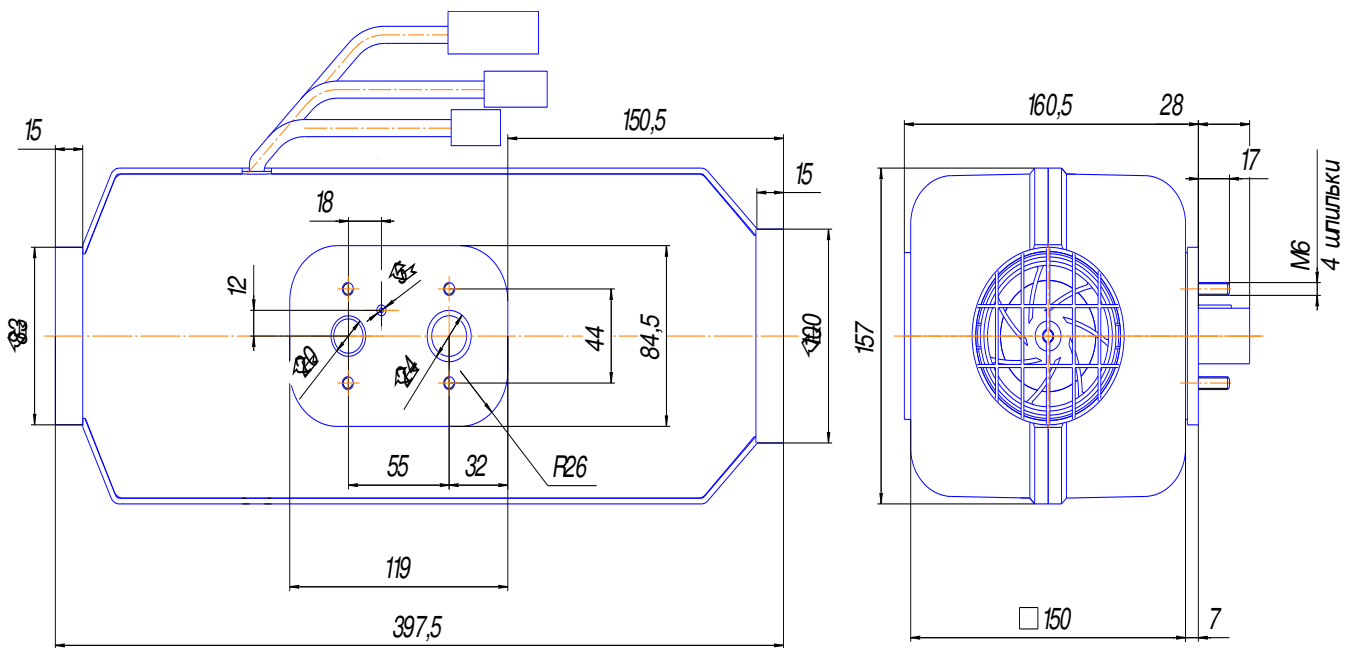


Figure 3- Heater dimensions

1.2 Air Inlet Installation

Air necessary for burning, should not be soaked up from salon or a cabin and a car luggage space. Position the pipe's air inlet vent to prevent snow entering or choking the pipe and to allow incoming water to run off. The entrance aperture of an air inlet is forbidden to have against a running air stream at car movement.

1.3 Exhaust Pipe Installation

When installing the exhaust pipe, be mindful of its high operating temperature. Cut the exhaust pipe (a flexible corrugated metal hose) to size. Fix the exhaust pipe in place using clamps and position it at a slight angle following the trajectory of gas flow. To protect some parts of the vehicle (electric wiring and other harness) from high temperatures, there must be heat insulation installed.

To achieve a tight fit, prior to connecting the exhaust pipe to the heater pipe, make a saw-cut of about 15mm along the length of the exhaust pipe without going beyond the gripped part of the pipe. Ensure that the end of the exhaust pipe does not come into contact with the rubber seal of the heater. Direct exhaust gas outside. Position the gas outlet vent and the air inlet vent in such a way as to prevent exhaust gas from entering the combustion chamber. Ensure that exhaust gas does not enter the passenger compartment of the vehicle and that it does not get sucked in through the vehicle fan.

Do not allow exhaust gas to affect the performance of vehicle components. Position the exhaust pipe outlet vent so as to prevent snow entering or choking the pipe and to allow incoming water to run off. At the vent of the exhaust pipe the screen is installed, this necessary for stable operation of the heater while working low idle. If this screen is not installed, install it according fig.6.1 **The exhaust outlet of an exhaust pipe is forbidden to have against a running air stream at car movement.**

1.4 Installation of Heater Fuel Supply System

A feeding of a heater by fuel can be carried out from a fuel tank entering into the delivery complete set (pos. 7 on fig. 6.1) or from a regular fuel tank of the car.

At a feeding of a heater by fuel from a regular tank of the car in a car tank it is established fuel supply intake (pos.10 on fig. 6.1).

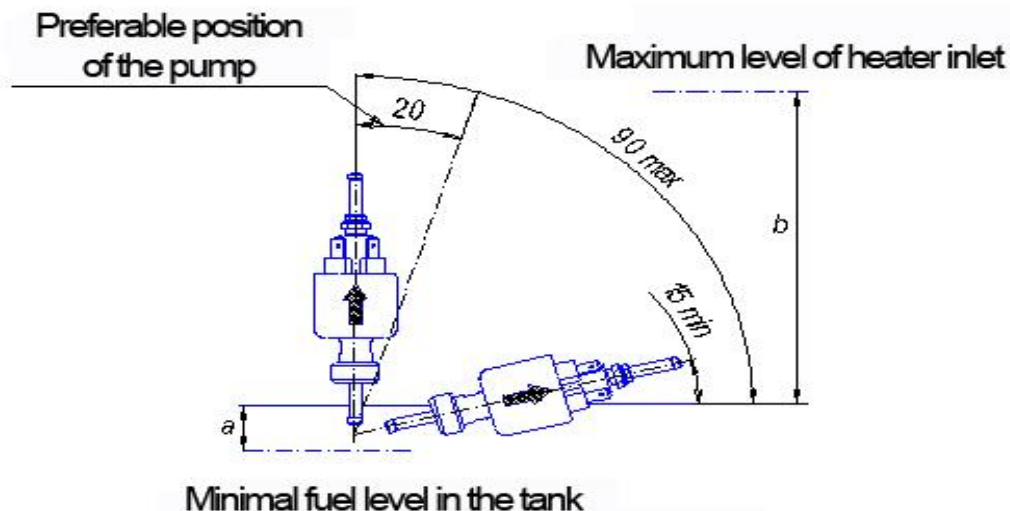
1.4.1 Installation of Heater fuel pump

To prevent emergency situations, follow these instructions carefully.

The fuel supply pump should be mounted as close to the fuel tank as possible and positioned below the tank's lower fuel level.

To prevent the possibility of fuel leaking out of the tank (due to gravity flow) as a result of faulty sealing of the fuel supply pump, the fuel tank should be positioned in such a way that the maximum fuel level is below the incision in the heater fuel tube.

The spatial position of the fuel supply pump must comply with Figure 4 (preferably in a vertical position).



a – lift height up to 700 mm (2 ft); b – delivery lift between fuel supply pump and heater up to 1500 mm (5 ft).

Figure 4- Permissible Mounting Position of Fuel Supply Pump

1.4.2 Installation of a fuel tank on the car

A fuel tank it is necessary to have so that the exit of fuel which can flow out from its bulk mouth, on the earth was provided.

The bulk mouth of a fuel tank should not be in salon, a luggage carrier, in a motor compartment. If the bulk mouth is located on a vehicle lateral face the filler cap in the closed position should not support car's body dimensions. Fuel which can spill at filling of a fuel tank, should not get on exhaust systems and electro wires. It should be taken away on a ground.

For the purpose of an exception of leak of fuel from a fuel tank by gravity at infringement of tightness of the fuel pump, a fuel tank it is preferable to have so that the fuel maximum level was below a cut of a fuel tube of a heater.

1.4.3 Installation a fuel supply intake in a regular tank of the car

Fuel can enter the heater through a fuel supply intake from the regular fuel tank of the car. Fuel supply intake must be installed into regular fuel tank of the car according to fig. 5,a. Perform installation of special washer with fuel supply intake to the tank inlet according to fig.5,b) Perform installation of the fuel supply line from fuel supply intake to the heater according to fig.6.

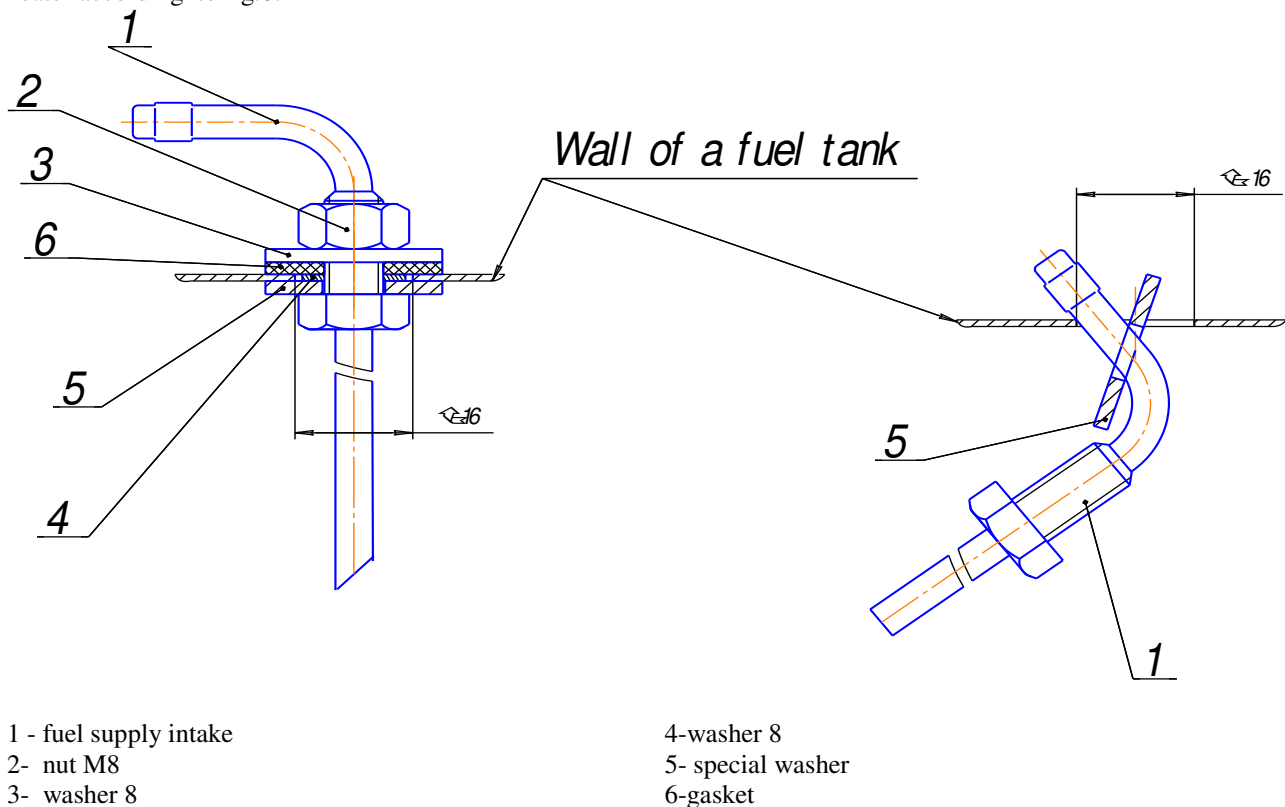
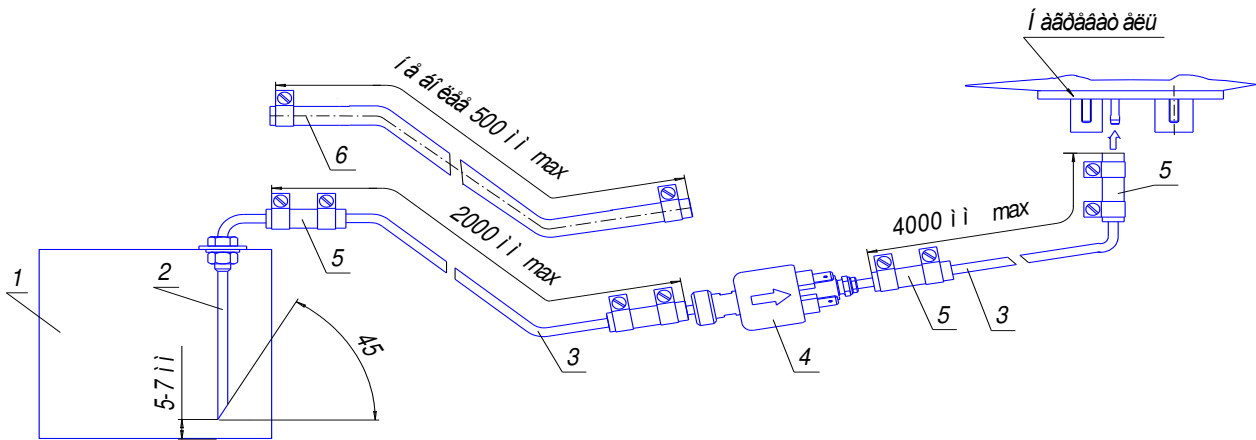


Fig 5 – Fuel supply intake installation in a regular tank of the car

Attention! 1. A fuel feeding from a regular fuel tank of the car with the help of fuel supply intake less preferable, because of complexity of its installation

2. At manufacturing of a hole in a regular fuel tank of the car it is necessary to fulfil safety precautions requirements on job with tank which was filled with combustive and explosive fuel.



1 – regular fuel tank of car

2 - fuel supply intake

3 – fuel supply line d=2mm

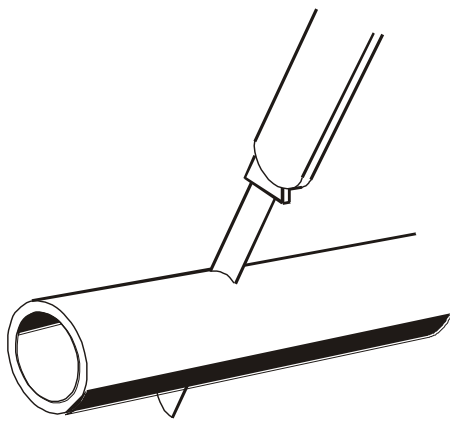
4 - fuel pump

5 - sleeve

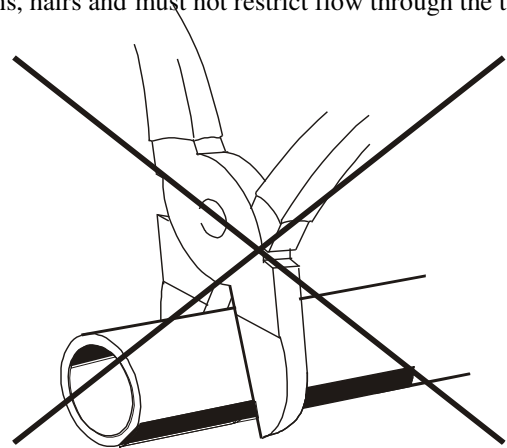
6 – fuel supply line d=5mm

Figure 6 – Installation Diagram for Heater Fuel Supply System Using a fuel supply intake

When installing the fuel supply line, do not allow connecting sleeves to bend. Use a sharp knife to cut the fuel tube as in Figure 8.8. The cutting location shall be free of indentations, hairs and must not restrict flow through the tube.




Correct



Incorrect

Figure 8 – Tube Cutting Prior to Installation

ATTENTION 1. Do not allow the fuel supply line or fuel supply pump to overheat. Do not install the fuel supply line and fuel supply pump near the exhaust pipe or on top of the engine.
 2 The fuel supply line connecting the fuel supply pump to the heater should be installed at the same lifting angle.

	122R00_ PLANAR 44D_xx		11/11

1.5 Installation of Heater Electric Circuit

When installing, do not allow the wire harnesses to become overheated, deformed or dislodged during vehicle use. Attach the harnesses to the vehicle fittings using plastic clamps.

Attention! Remove the fuse prior to installation.

1.6 Control Panel Installation

Install the control panel on to the dashboard in the cabin or passenger compartment of the vehicle. Attach the Control panel with the help of adhesive tape.

Degrease the surface on which the panel is installed and remove protective film from the adhesive tape.

2 Post-installation Testing

2.1 When installing, ensure that:

- the fuel supply lines of the fuel supply system are leak-proof and all clamps are securely tightened,
- the electric contacts of the harnesses and heater elements are securely installed,
- the shift knob located on the control panel is turned to the far left position by being turned anti-clockwise as far as it will go following the click.

2.2 Install fuse 25A .

2.3 Fill the fuel pipe system with fuel with the help of fuel pumping device (fuel pumping device YIIT-1 can be ordered at manufacturer). After filling the system check that the fuel pump system is not leaking.

2.4 Check that the heater is working :

- in ventilating mode,
- in heating mode.

The process of activation begins with purging of the combustion chamber. After purging the process of combustion begins and the heater goes on working in operation mode.

2.5 Deactivate the heater. While switching off the heater the fuel stops entering and the process of ventilation of the combustion chamber and heat exchanger starts.

2.6 Activate the heater while the vehicle engine is running and ensure that the heater is operational.

ATTENTION! 1 When performing initial ignition following installation, the fuel supply line should be filled with fuel using a fuel pumping device until the fuel level reaches the inlet plug of the heater. If there is no pumping device, restart the heater as many times as necessary to fill the fuel supply line.

2 Remember that each time the heater fails to start at the first attempt, the heater will be restarted automatically by the control unit. If the heater is not activated after 2 attempts, there will be malfunction code on the Control panel.

3 If necessary to start the air-heater when the temperature is higher than 30° C, the cabin sensor should be switched off.